

JVC
PROFESSIONAL

1/2" C-MOUNT DIGITAL CAMERA

KY-F1030U

1360 x 1024 SXGA Digital Image Capture with
Dual Output: IEEE1394 and RGB Analogue



1360 x 1024 SXGA Digital Imaging

Shown with optional lens

- 1.45 million Pixel 1/2" CCD with Progressive Scanning
- 1360 x 1024/1280 x 960 Switchable Resolution
- Dual Output: IEEE1394 and RGB Analogue
- C-mount
- Long Integration Shutter
- Dual Power Supply: IEEE1394 and AC Power
- IEC601-1 and UL-2601 Medical Approval
- JVC's Proprietary "KY-LINK" Image Acquisition Software Available
- Motorised Zoom Lens Control Capability

JVC's KY-F1030U: the Best Digital Solution for a Wide

Regardless of system configuration requirements, the KY-F1030U flexibly meets the demand for SXGA high-resolution images. Its dual output capability provides an IEEE1394 single cable PC system and an RGB capture card solution. No PC is necessary for projecting images when the optional scan rate converter is used. Furthermore, JVC's proprietary image acquisition software "KY-LINK" provides easy installation on a PC for a genuine single monitor solution using IEEE1394, which provides full SXGA preview and capturing with full camera and motorised zoom control.*

Easy to Use

KY-F1030U is equipped with all the features and functionality to meet the demands of high resolution imaging in a wide variety of applications. The basic concept is "Easy to Use". The rapid data transfer rate via IEEE1394 of the SXGA images makes for quick and simple imaging. JVC's colour matrix does not disappoint in its true colour rendition. The camera comes complete with KY-LINK, the IEEE1394 image capturing and camera control package, plus all necessary drivers. Also available is a full SDK (Systems Developers Kit). A real turnkey solution for digital imaging. Just load the software, plug in and start capturing.

Key Features

- 1360 x 1024 SXGA resolution camera which is equivalent to 800 TV lines
- Output available in both digital and analogue forms for flexibility
- IEEE1394 interface 400Mbps high speed transfer provides native SXGA with 7.5 fps live image on PC
- Global standard digital camera protocol IIDC Ver. 1.30 compliant
- Simple IEEE1394 6-pin single cable solution, embracing image capture, camera control and DC power via IEEE1394 connection to PC
- Lens control through IEEE1394 (Iris, Focus and Zoom)*
- 1/2-inch IT Progressive Scan CCD
- Effective pixel resolution 1.45 million
- C-mount, half inch, fits a wide variety of lenses and scopes
- JVC proprietary colour matrix
- Extended integration up to 4 seconds (Slow Shutter Mode)
- External trigger function for Sensor or Flash Synchronisation
- RS-232C remote control compatible with JVC KY-F70BU camera control protocol**
- Dual DC power supply either via 12V DC direct input or via IEEE1394 input

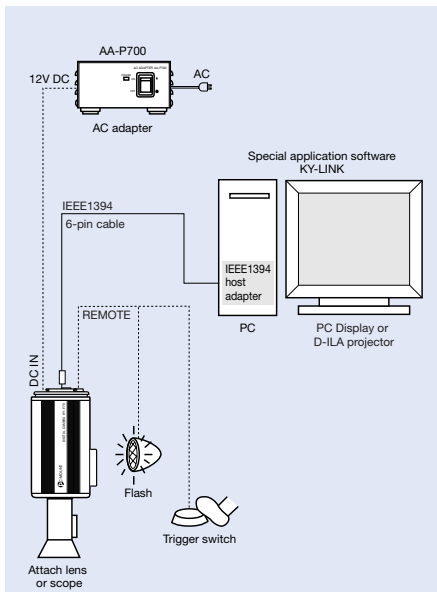
* : For applicable lenses, please contact with local JVC professional products offices.

** : For detail information, please contact with local JVC professional products offices.



A Range of Applications for High-Resolution Imaging

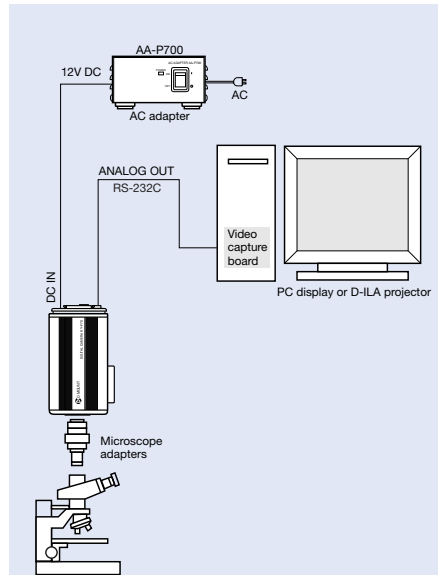
SYSTEM CONFIGURATIONS



Direct PC "KY-LINK" Capturing System

Via the IEEE1394 terminal, SXGA images can be viewed and captured directly to PC. The camera is controlled by "KY-LINK" application software.

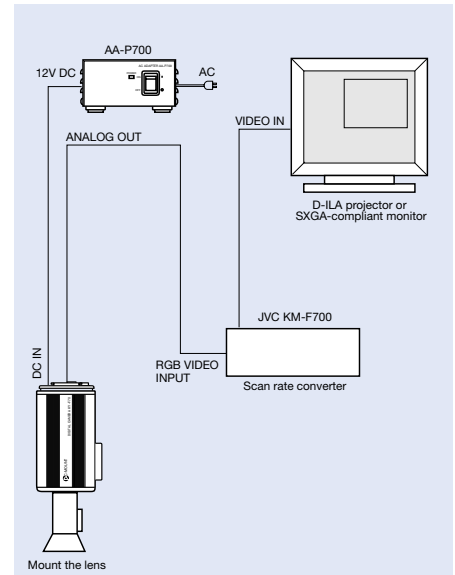
- Live images are viewed in "KY-LINK" at max. 7.5 fps.
- Images captured to PC may be manipulated and saved in "KY-LINK". AA-P700 is only required for lens control, or some medical use. Otherwise power is supplied via IEEE1394 cable from PC.
- For Flash/Trigger switch operation, additional software should be necessary.



PC System Using Analogue Capture Board

Via the 15 pin RGB port, SXGA resolution images may be captured with an appropriate image digitising board. Camera control through RS-232C port is similar to JVC KY-F70U/BU SXGA camera.

- AA-P700 is required to supply 12V DC power.

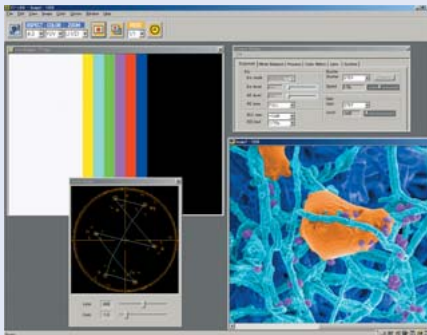


SXGA Large Screen Presentation System

By using JVC KM-F700 Scan Rate Converter, SXGA image can be projected on JVC large screen DILA projector or SXGA-compliant monitor.

- Camera is controlled by its built-in on-screen menu.
- AA-P700 is required to supply 12V DC power.

KY-LINK, A PACK OF TURNKEY IMAGE ACQUISITION SYSTEM



The package of KY-LINK and Zenkman PFW-41 is a turnkey solution for IEEE1394 image acquisition with KY-F1030U. Combined with KY-LINK software, KY-F1030U camera control, power and image data can all be handled by one simple IEEE1394 cable – making this a true single cable solution. The "Live" (7.5 f/s) window gives the real "What you see is what you get" preview and capturing without any loss of native SXGA image quality from the camera. Furthermore, KY-LINK offers variety of image enhancement, processing and camera calibration tools which are easy to use.

For application developers, JVC is supplying OCX (COM) language SDK (Software Developer's Kit) program which provides a fully flexible environment for application software development.**

Functions

Live Window
Image Window
Camera Window
Vector Scope
Others

OS

Windows 98 2nd Edition
Windows Me
Windows 2000 Professional

System Requirements

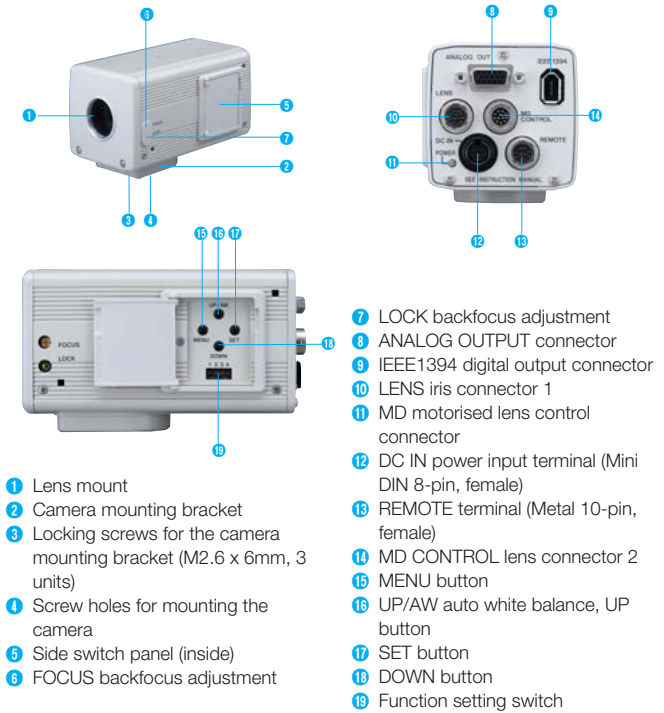
KY-F1030U
PC: PentiumIII 1.3GHz
64MB RAM
4 MB VRAM

IEEE1394 Interface Board:
Zenkman PFW-41

SPECIFICATIONS

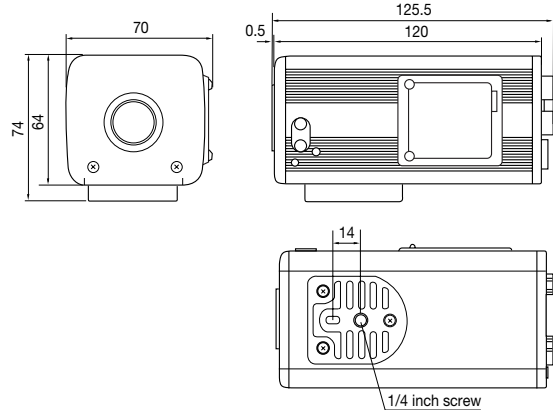
Image device	1/2-inch Interline Transfer CCD
Scanning	Progressive
Total pixels	1.50 million pixels
Effective pixels on CCD	1.45 million pixels (H: 1,392 x V: 1,040)
Output pixels from CCD	1,360 x 1,024 pixels
Quantisation	10 bit in, 8 bit out
Lens mount	1/2-inch C mount
Analogue video output	
Resolution	1,360 x 1,024 lines (800 TVL)
Output signal	RGB 0.7V, 75 ohms
Frame rate	7.5 fps
Cable length max.	HV Separate Sync: 5 m Sync On Green: 30 m
Terminal	Mini D-sub 15 pins
Digital video output	
Resolution	1,280 x 960 lines (800 TVL) 1,360 x 1,024 lines (800 TVL)
Protocol	IIDC 1394 based Digital Camera Specification, Rev. 1.30
Frame rate	7.5 fps (max.)
Cable length max.	4.5 m
Terminal	IEEE1394 6 pins
Aspect ratio	4:3
Sync output	Hs/Vs 3.3 V(p-p) Sync On Green 0.3 V(p-p)
Sensitivity	F8 2000 lux (at 1/30 shutter)
Lens control	Iris/Focus/Zoom
White balance	Auto/manual
White paint	Manual Paint/Flare Compensation
Gain	0 dB to +12dB
Electronic shutter	
STEP	4 sec., 2, 1, 1/2, 1/4, 1/8, 1/15, 1/30, 1/60, 1/125, 1/250, 1/500, 1/1000, 1/2000
V.SCAN	4 sec. - 1/5906.8 sec.
EEI	1 - 1/2384.7 sec. 1/7.5 - 1/2384.7 sec.
RANDOM	1/7.5 - 1/5648.2 sec. Sync non reset made only
Regulatory	UL1419 UL2601-1 (with AA-P700MDU) IEC60950 IEC60601-1 (with AA-P700EG/EK) FCC Part15 Class B IEC60601-1-2/2001 (with AA-P700EG/EK) EN55103-1, -2/96
Dimensions (W x H x D)	70 x 64.8 x 125.5 mm
Weight	470 g
Power supply	through AC Adapter +12 V through 1394 cable +8 V - +40 V
Power consumption	through AC Adapter 8 W (with motorised lens) or less through 1394 cable 2.5 W
Operating temperature	0° - 40°C
Storage temperature	-20° - 60°C

MAIN PARTS AND FUNCTIONS



DIMENSIONS

Unit: mm



OPTIONS



AA-P700
AC Power Adapter
AA-P700EK (IEC601-1 Conformed)
AA-P700EG (IEC601-1 Conformed)
AA-P700MDU (UL-2601 Approved)
AA-P700U (General use)



KM-F700U
SXGA Scan Rate Converter



D16x7.3A-D29
16x Motorised Zoom Lens



KA-FW41U
■ IEEE1394 Interface Board Zenkuman
PFW-41
■ KY-WARE CD-ROM

*Windows®95, Windows®, Zenkuman® and Pentium® are registered trademarks.

JVC

VICTOR COMPANY OF JAPAN, LIMITED

DISTRIBUTED BY

Design and specifications subject to change without notice.



■ The Hachioji Plant of Victor Company of Japan, Ltd., has received ISO14001 and ISO9001 Certifications under the global standard for environmental management.

Printed in Japan
KCN-1802
CEKYF1030UEKN020